

KOHLER®

Highline®
Two-piece elongated toilet with concealed trapway,
1.28 gpf
K-76301-RA

Features

- Two-piece design
- Concealed trapway and Clean Caps® low-profile bolt caps facilitate easier cleaning and enhance design
- Elongated bowl offers added room and comfort
- Comfort Height® feature offers chair-height seating that makes sitting down and standing up easier for most adults
- 1.28 gpf (4.8 lpf)
- Right-hand Polished Chrome trip lever
- Combination consists of the K-4467-RA tank and the K-80020 bowl

Material

- Vitreous china

Technology

- Single-flush gravity uses the force of gravity and a precision-engineered tank, bowl, and trapway to create a strong siphon during flushing
- KOHLER's canister flush valve harnesses the natural force of gravity and optimizes flushing performance
- Class Five® flushing technology offers virtually plug-free performance and rinsing power for a clean bowl

Installation

- Three-bolt quick-connect installation
- Seat and supply line sold separately
- Standard 12" (305 mm) rough-in

Water Conservation & Rebates

- Eligible for consumer rebates in some municipalities

Recommended Products/Accessories

K-4636 Cachet® Quiet-Close™ elongated toilet seat
K-5588 Purefresh® Elongated toilet seat
K-4108 C³®-230 Elongated bidet toilet seat with remote control
K-9379 Trip Lever
1023457
1265114
K-23726 Drain treatment

Included Components

Product consists of:

80020
4467-RA

Additional Components:

Floor Mounting Kit
Polished Chrome trip lever
Tank cover



ADA

CSA B651

OBC

Codes/Standards

ASME A112.19.2/CSA B45.1
DOE - Energy Policy Act 1992
EPA WaterSense®
California Energy Commission (CEC)
ADA
ICC/ANSI A117.1
CSA B651
OBC



KOHLER® Toilets and Seats Limited Warranty

See website for detailed warranty information.

Available Colors/Finishes

Color tiles intended for reference only.

Color Code Description

	0	White
	96	Biscuit

1-800-4KOHLER (1-800-456-4537)

Kohler Co. reserves the right to make revisions without notice to product specifications.

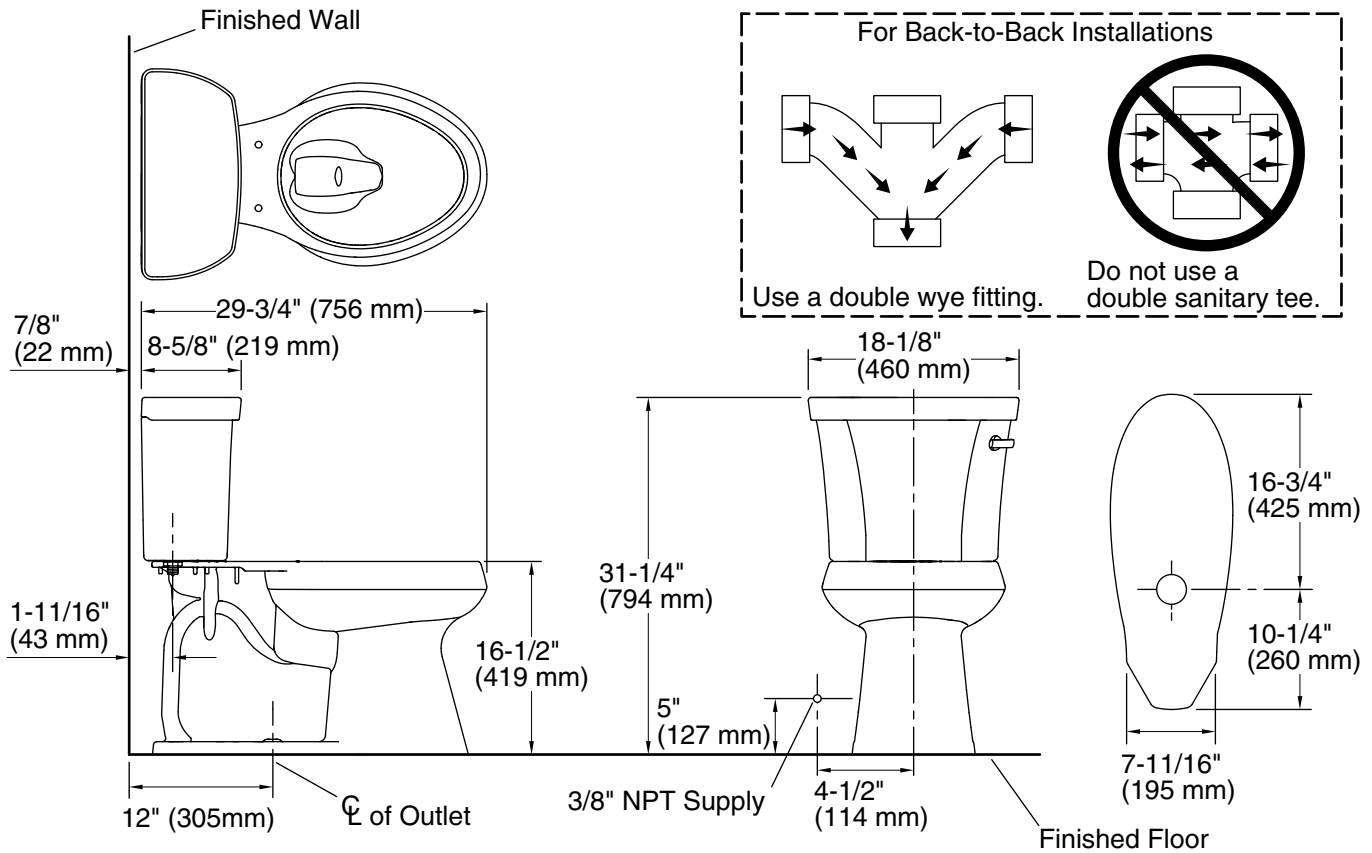
For the most current Specification Sheet, go to www.kohler.com.

3-12-2023 21:53 - US/CA

THE BOLD LOOK
OF **KOHLER®**

KOHLER®

Highline®
Two-piece elongated toilet with concealed trapway,
1.28 gpf
K-76301-RA



Technical Information

All product dimensions are nominal.

Toilet type:	Floor-mount
Waste Outlet:	Floor
Bowl shape:	Elongated
Flush type:	Class Five Single-Flush
Trap passageway:	2-1/8" (54 mm)
Water surface size:	10-5/8" x 8" (269 mm x 203 mm)
Rim to water surface:	5-3/8" (137 mm)
Rough-in:	12" (305 mm)
Seat-mounting holes:	5-1/2" (140 mm)

Notes

Install this product according to the installation instructions.

For back-to-back toilet installations: Use only a 45° double wye fitting.

ADA, OBC, CSA B651 compliant when installed to the specific requirements of these regulations.

Plumbing codes may require elongated toilets and elongated, open-front seats in public bathrooms.

Accessibility standards may require controls to be located on the open side of the toilet.